

Cummins **Onan**



Parts Manual

Generator Set

RBAA 20 kW (Spec A-E)

RBAA 25 kW (Spec A-E)

Introduction

This parts catalog applies to the standard generator sets listed below. Parts are arranged in groups of related items and each illustrated part is defined by a reference number corresponding to the same reference number in the parts list. Parts illustrations are typical. Using the model and specification number from your generator set nameplate, select parts that apply to your set. Right and left sides are determined by facing the generator end (front) of the set.

Generator Set Data Table

Model Identification	Pump Shaft	Wiring Diagram	Voltage	Hertz	Phase
20RBAA 3576E	Keyed	625-4595	120/240	60	1
25RBAA 3579E	Keyed	625-4595	120/240	60	1

* – The specification number denotes customer requested options or deviations from a standard (1A, 1B, etc.) model. The specification letter advances (A, to B, to C, etc.) with major manufacturing changes.

Index

A

Adapter, Generator, **5 , 6**
Adapter, Hose, **16**
Adapter, Hose (1 1/16–12 –1 1/16–12 3T Flange),
15
Adapter, Hose (7/8–14 x 1 1/16–12 97 Flange),
15

B

Baffle, Air, **13**
Baffle, Air (Begin Spec C), **12**
Baffle, Air (Spec A–B), **11**
Base, Drip Pan, **13**
Base, Drip Pan (Spec A–B), **11**
Base, Drip Pan (Spec C–D), **12**
Block, Terminal – Begin Spec C, **8**
Bracket, Control Box – Begin Spec C, **8**
Bracket, Generator Support, **5 , 6**
Bracket, Voltage Regulator – Spec A–B, **7**
Breather, Hydraulic, **17**

C

Conduit, Liquid Tight, **7**
Connection, Conduit, **7**
Control – Begin Spec C, **8**
Control – Spec A–B, **7**
Cover, Access, **13**
Cover, Access (Begin Spec C), **10 , 12**
Cover, Access (Spec A–B), **9**
Cover, Control – Begin Spec C, **8**
Cover, Control – Spec A–B, **7**
Cover, Enclosure (Begin Spec C), **10**
Cover, Enclosure (Spec A–B), **9**

D

Drip Pan Base (begin Spec E, **13**

E

Edging, **7**
Elbow, Hydraulic Pump Tube, **4**
Elbow, Tube, **16**
Element, Hydraulic Filter, **17**
Enclosure, Assy (Spec A–B), **9**
Enclosure, Generator (Begin Spec C), **10**
Enclosure, Generator (Spec A–B), **9**
Endbell Assy, **5 , 6**
Exchanger, Hydraulic Heat, **14**

F

Fan, Sucker, **5 , 6**
Filter Assy, Hydraulic, **17**
Filter, Hydraulic, **17**
Filter, Reservoir Hydraulic, **16**

G

Gasket, Hydraulic, **17**
Gauge, Level, **16**
Gauge, Pressure, **16**
Generator, **5 , 6**
Grommet (1”), **7**
Guard, Generator Fan (Begin Spec C), **10**
Guard, Generator Fan (Spec A–B), **9**

H

Harness, AC, **21**
Harness, AC Sensor Extension, **20**
Harness, Control, **22**

Harness, Direct Current – Begin Spec C, **8**
Harness, Meter, **20**
Harness, Regulator (P11), **22**
Harness, Sensor (J9 & P10), **20**
Harness, Switch (J1), **20**
Harness, Switch (P2), **20**
Harness, Valve (Extension) (P2 & P3), **20**
Harnesses, **19**
Hub, Radiator Fan, **5 , 6**

I

Insulation, Baffle, **13**
Isolator, Vibration, **13**

J

Jumper, Terminal, **7**

L

Label, Barcode, **23**
Label, Blank, **23**
Label, Information, **23**
Label, No Step, **23**
Label, Single Phase Information, **23**
Label, Unit ID, **23**
Label, Warning, **23**
Labels, **23**
Line, Hydraulic, **14**

M

Motor Assy, Hydraulic, **15**
Motor, Hydraulic, **15**
Mounting, Foot Generator (Left Hand), **5 , 6**
Mounting, Foot Generator (Right Hand), **5 , 6**

Multi-Meter, **23**

P

Plug, Drain, **16**
Pump Assy, Hydraulic, **4**
Pump, Hydraulic, **4 , 4**

R

Regulator, Voltage – Begin Spec C, **8**
Regulator, Voltage – Spec A–B, **7**
Reservoir Assy, Hydraulic, **16**
Reservoir, Hydraulic, **16**
Rotor Assy, **5 , 6**

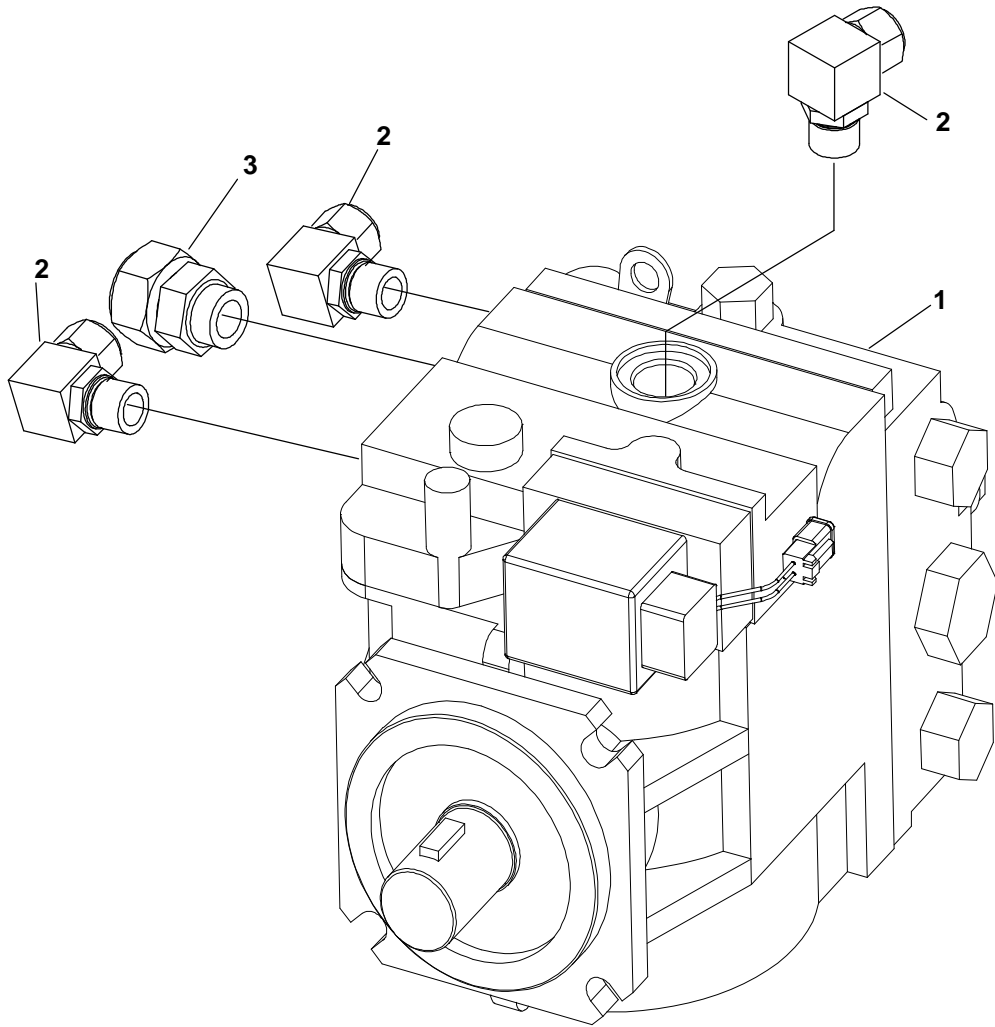
S

Scroll, **13**
Scroll (Begin Spec C), **12**
Seal, Enclosure, **13 , 14**
Seal, Enclosure (Begin Spec C), **12**
Seal, Enclosure (Spec A–B), **11**
Shroud, Fan, **13**
Shroud, Fan (Begin Spec C), **12**
Stator Assy, **5 , 6**
Strain, Relief, **7**
Switch, Temperature, **14**
Switch, Temperature – Begin Spec C, **8**

T

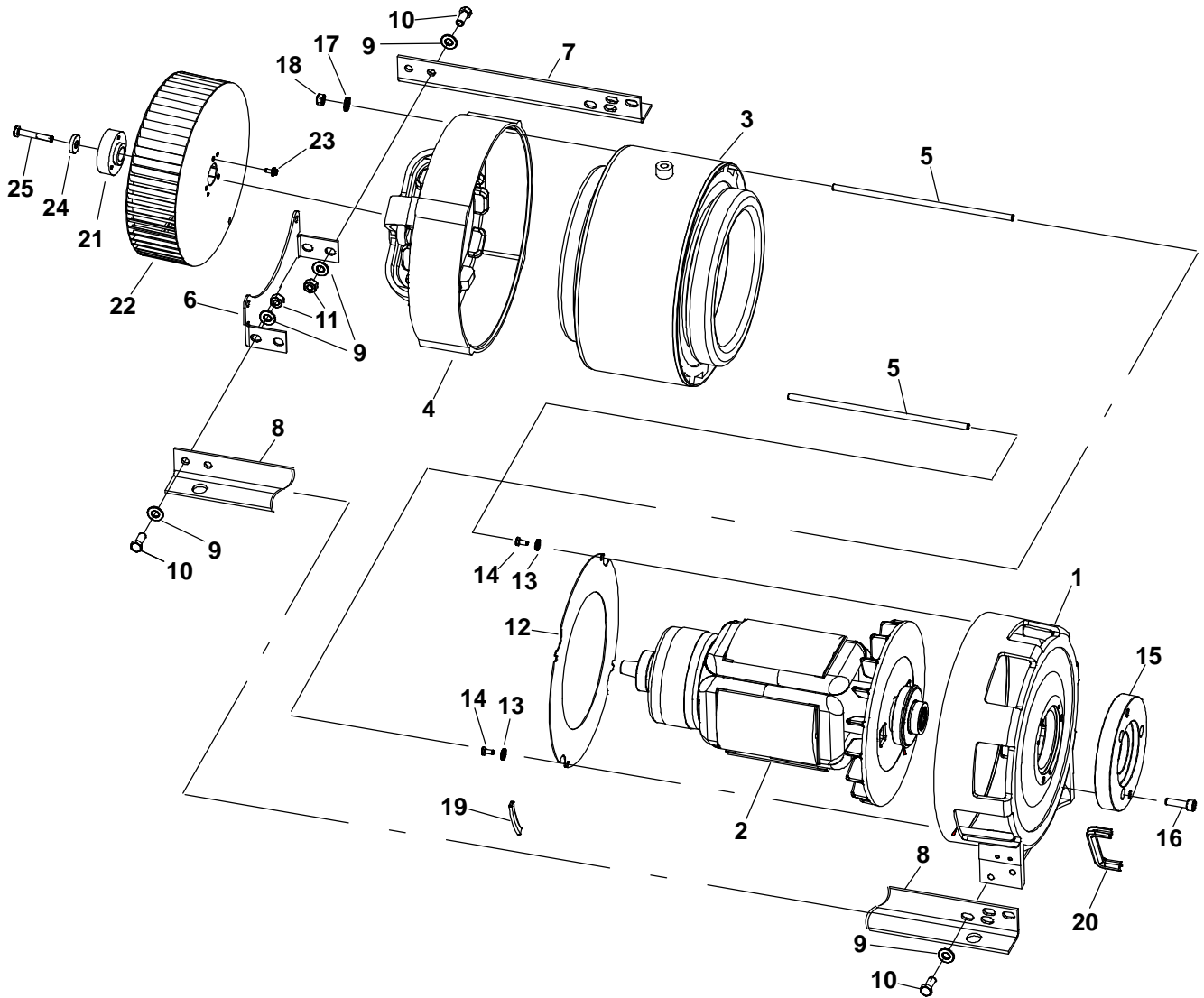
Terminal, Block – Spec A–B, **7**
Terminal, Solderless, **7**
Transformer, Voltage, **7**
Transformer, Voltage (VT1), **21**

Hydraulic Pump



REF NO.	PART NO.	QTY USED	PART DESCRIPTION	REF NO.	PART NO.	QTY USED	PART DESCRIPTION
			Pump Assy, Hydraulic	2	502-1470	3	Elbow, Tube
	121-0227	1	Keyed Shaft	3	502-1473	1	Adapter, Hose (1 5/8-12 x 1 5/8-12 37 Flare)
1	121-0213	1	Pump, Hydraulic				

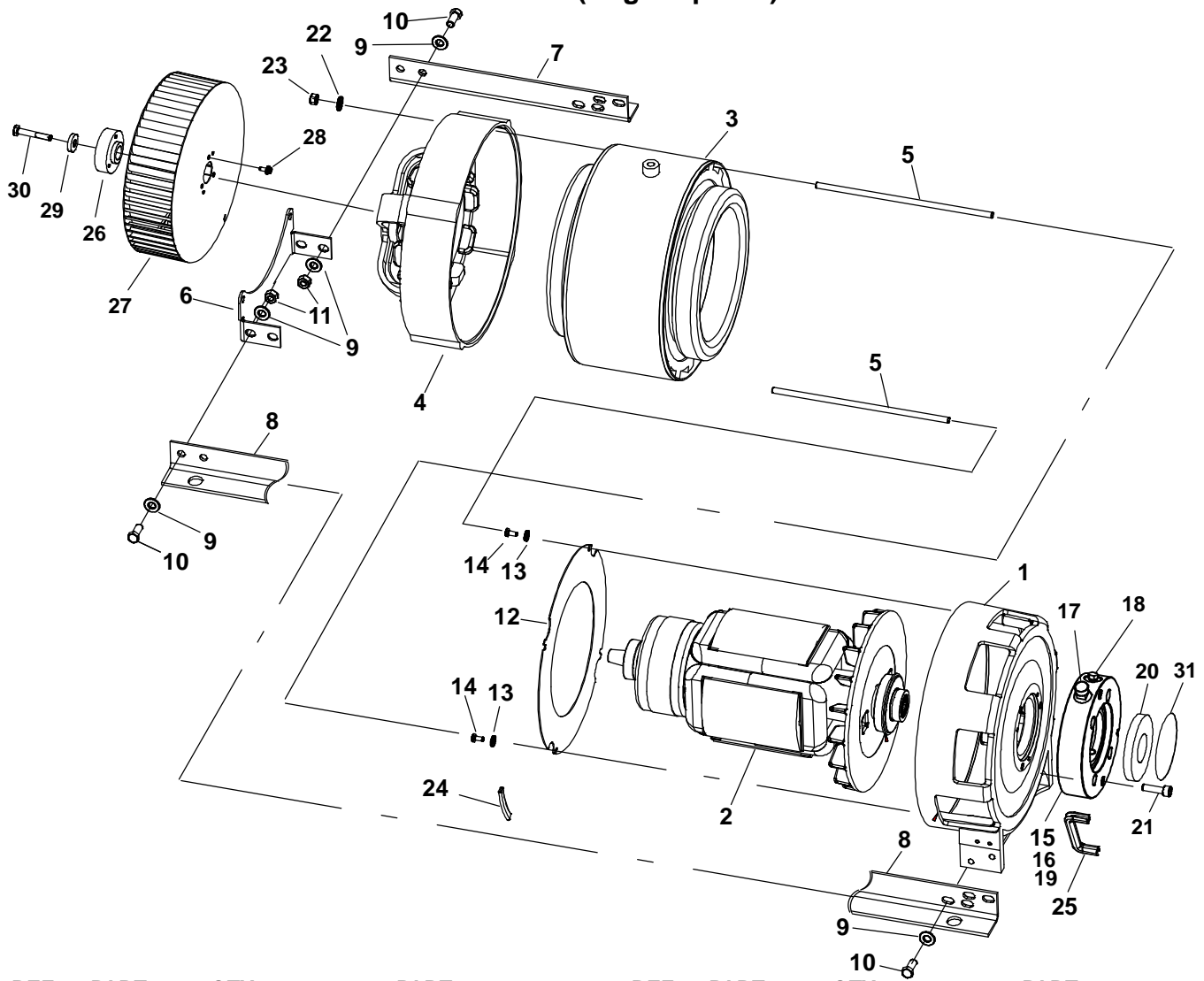
Generator (Spec A-C)



REF NO.	PART NO.	QTY USED	PART DESCRIPTION	REF NO.	PART NO.	QTY USED	PART DESCRIPTION
1	231-1022	1	Adapter, Generator	16	725-1077	4	Screw, Socket Head Cap (M10 x 1.5 x 35mm)
2	201-3610-03	1	*Rotor Assy	17	526-0399-42	4	Washer, Flat (3/8")
3	220-4622-03	1	Stator Assy	18	862-0041	4	Nut, Hex (3/8-16)
4	211-0526	1	Endbell Assy	19	508-0210	1	Edging (80mm)
5	520-0800	4	Stud, (3/6-16 UNC)	20	508-0239	1	Edging (145mm)
6	232-2452	1	Bracket, Generator Support	21	130-5930	1	Hub, Radiator Fan
7	232-4127-02	1	Mounting, Foot Generator (Right Hand)	22	130-5872	1	Fan, Sucker
8	232-4128-02	1	Mounting, Foot Generator (Left Hand)	23	815-0753	3	Screw, Locking Flange
9	526-0399-43	12	Washer, Flat (7/16)	24	526-0077	1	Washer, Flat
10	800-0310-50	8	Screw, Hex Head Cap (7/16-14 x 1")	25	800-2093	1	Screw, Hex Head Cap (M10 x .5 x 60mm)
11	862-0026-08	4	Nut, Hex (7/16-14)				
12	234-0969	1	Air, Baffle Generator				
13	526-0399-13	4	Washer, Flat (1/4")				
14	800-0310-02	4	Screw, Hex Head Cap (1/4-20 x .5")				
15	231-1021	1	Adapter, Generator				

***Note: If replacing rotor assembly 0201-3610-03, install rotor assembly A041E369, alternator adapter A041F389 and O ring A032Y018 to upgrade the drive system to that of Spec D. 70 ml of Dexron transmission fluid is required to fill the adapter.**

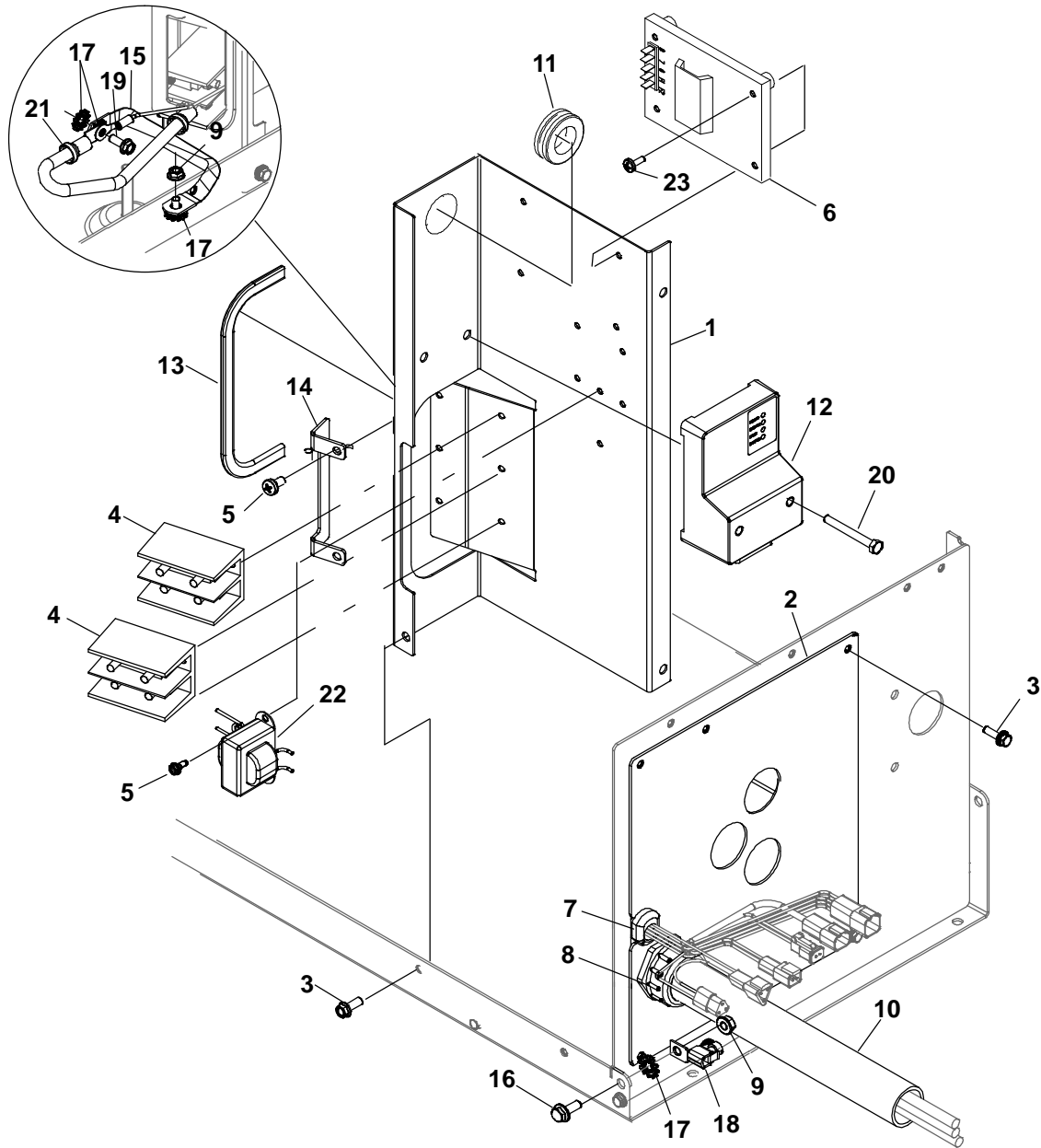
Generator (Begin Spec D)



REF NO.	PART NO.	QTY USED	PART DESCRIPTION	REF NO.	PART NO.	QTY USED	PART DESCRIPTION
1	A044B565	1	Adapter, Generator	17	A032Y012	1	*Vent, Air
2	A041E369		Rotor Assy	18	A032Y016	1	*Plug
3	220-4622-03	1	Stator Assy	19	A032Y014	1	*Plug
4	211-0526	1	Endbell Assy	20	A040F628	1	*Seal, Oil
5	520-0800	4	Stud, (3/6-16 UNC)	21	725-1077	4	Screw, Socket Head Cap (M10 x 1.5 x 35mm)
6	232-2452	1	Bracket, Generator Support	22	526-0399-42	4	Washer, Flat (3/8")
7	A044B579	1	Mounting, Foot Generator (Right Hand)	23	862-0041	4	Nut, Hex (3/8-16)
8	A044B576	1	Mounting, Foot Generator (Left Hand)	24	508-0210	1	Edging (80mm)
9	526-0399-43	12	Washer, Flat (7/16)	25	508-0239	1	Edging (145mm)
10	800-0310-50	8	Screw, Hex Head Cap (7/16-14 x 1")	26	130-5930	1	Hub, Radiator Fan
11	862-0026-08	4	Nut, Hex (7/16-14)	27	130-5872	1	Fan, Sucker
12	234-0969	1	Air, Baffle Generator	28	815-0753	3	Screw, Locking Flange
13	526-0399-13	4	Washer, Flat (1/4")	29	526-0077	1	Washer, Flat
14	800-0310-02	4	Screw, Hex Head Cap (1/4-20 x .5")	30	800-2093	1	Screw, Hex Head Cap (M10 x .5 x 60mm)
15	A041F389	1	Adapter, Alternator(Includes Parts Marked *)	31	A032Y018	1	Seal, O Ring
16	A032X983	1	*Adapter, Alternator				

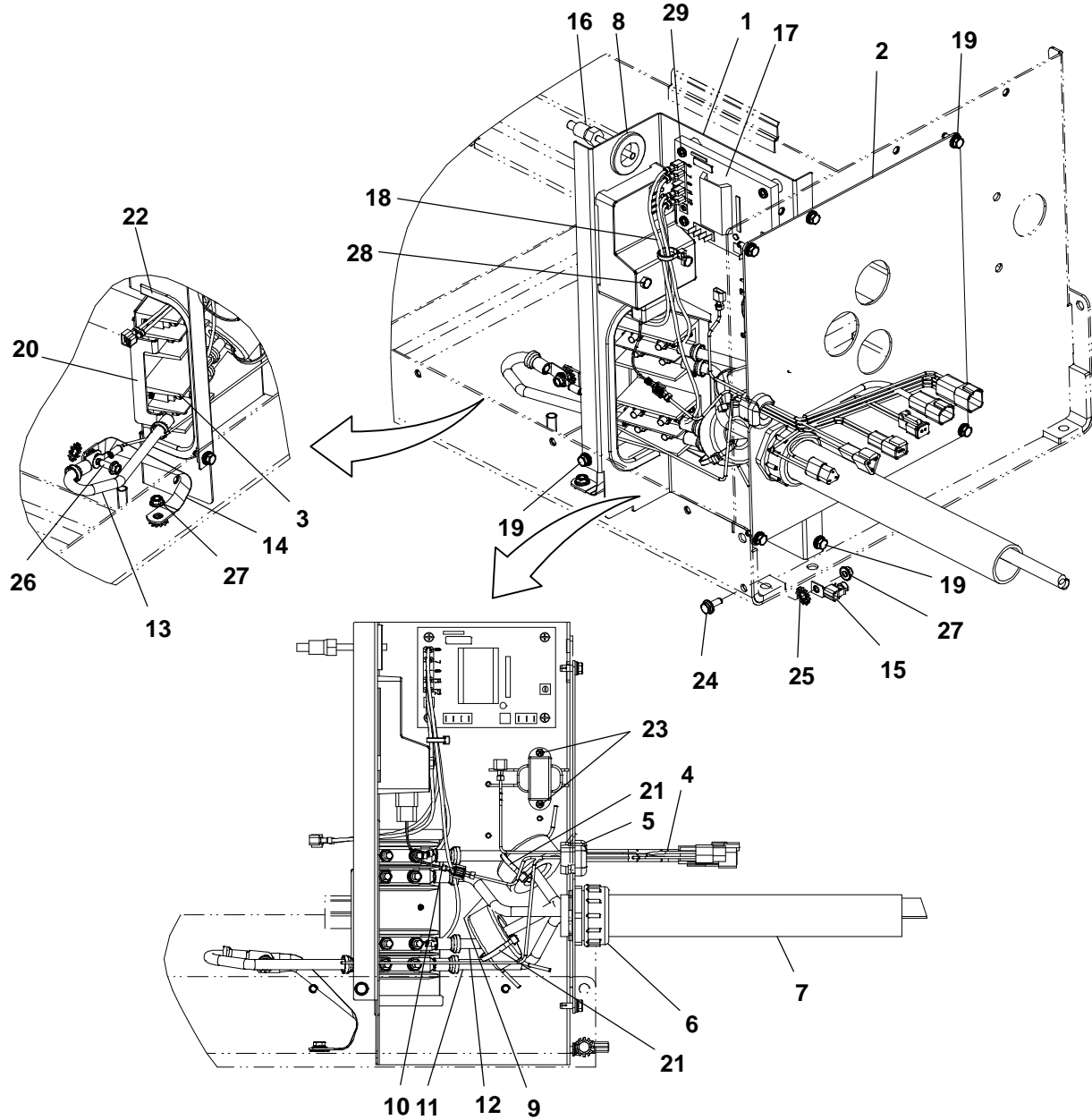
* - Parts Included in Adapter, Alternator

Control Spec A-B



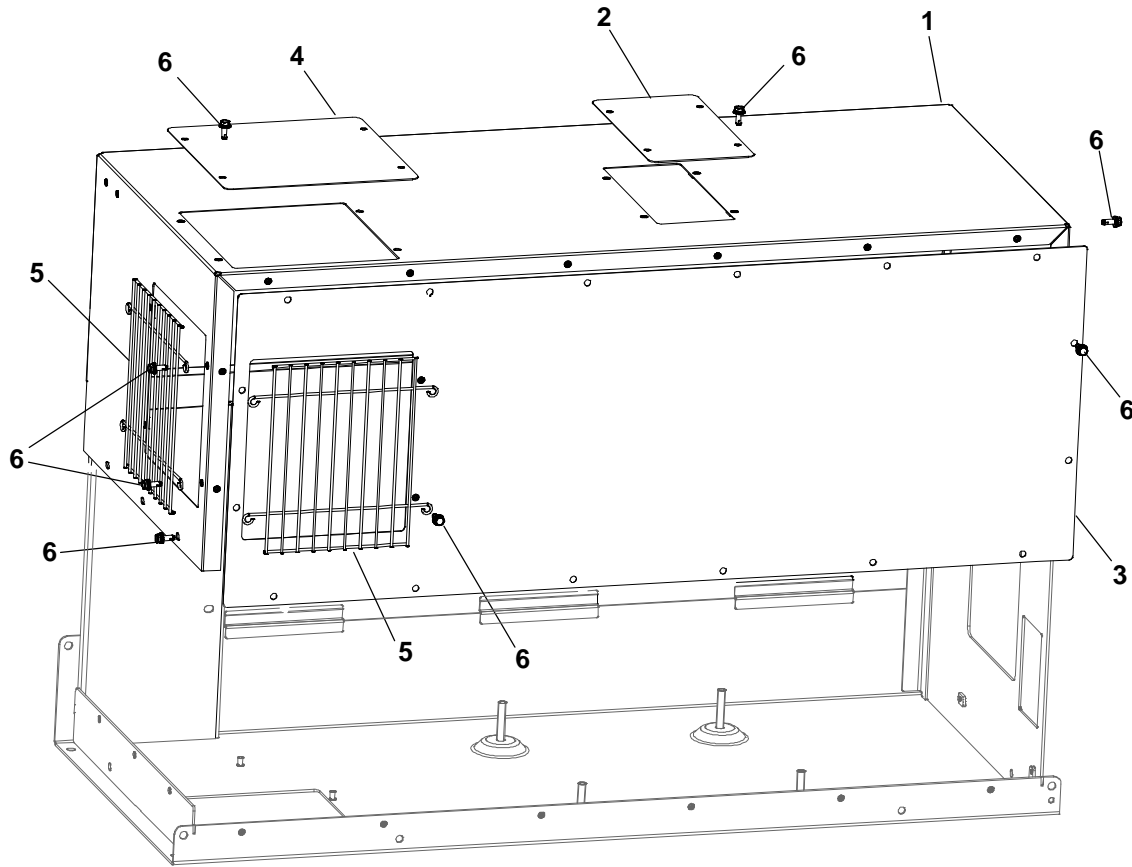
REF NO.	PART NO.	QTY USED	PART DESCRIPTION	REF NO.	PART NO.	QTY USED	PART DESCRIPTION
1	319-5388-02	1	Bracket, Voltage Regulator	13	508-0210	1	Edging (260mm)
2	319-5012	1	Cover, Control	14	332-3947	1	Jumper, Terminal
3	821-6006-01	7	Screw, Hex Head Sems Stainless Steel (M6 x 1 x 16mm)	15	337-2845	1	Strap, Bond
4	332-3910	2	Terminal, Block	16	821-2033	1	Screw, Locking Flange (M6 x 1 x 16mm)
5	815-0937	6	Screw, XREC Pan Head (#6-32 x .50")	17	856-0006	4	Washer, ETIT Locking (1/4")
6	305-0982	1	Regulator, Voltage	18	332-0142	1	Terminal, Solderless
7	323-2062	1	Strain, Relief	19	821-0018	1	Screw, Locking Head (1/4-20NC x .625")
8	331-0582-04	1	Connection, Conduit	20	800-2042	2	Screw, Hex Head Cap (M6 x 1 x .60mm)
9	870-2054	2	Nut, Locking Flange (6 x 1mm)	21	226-4893-05	1	Lead, Ground
10	331-0581-01	1	Conduit, Liquid Tight	22	315-1602-04	1	Transformer, Voltage
11	508-0117	1	Grommet (1")	23	815-0905-08	4	Screw, Cross Recessed Pan Head (10-32 x .875")
12	300-5751	1	Control				

Control Begin Spec C



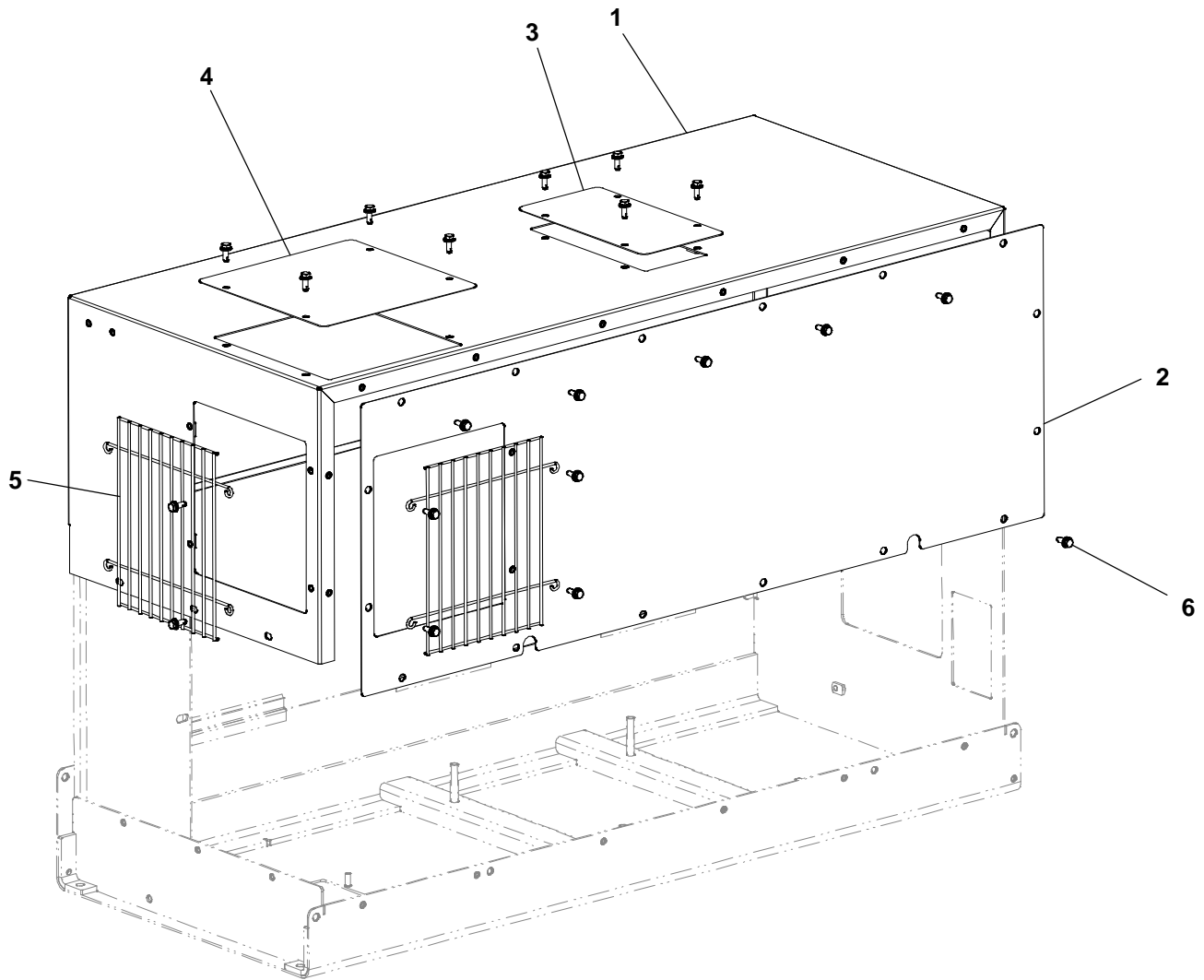
REF NO.	PART NO.	QTY USED	PART DESCRIPTION	REF NO.	PART NO.	QTY USED	PART DESCRIPTION
1	A029M722	1	Bracket, Control Box	16	309-0697	1	Switch, Temperature
2	A029U335	1	Cover, Control	17	305-0982	1	Regulator, Voltage
3	332-3910	2	Block, Terminal	18	226-4915	1	Lead
4	338-4255	1	Harness, Direct Current	19	821-6006-01	7	Screw, Hex Head
5	323-2062	1	Relief, Strain	20	A029N633	1	Jumper, Terminal
6	331-0582-04	1	Connector, Conduit	21	332-0941	8	Tie, Cable
7	331-0581-01	1	Conduit, Liquidtight	22	508-0210	-	Edging (.8)
8	508-0117	1	Grommet, Rubber	23	815-0937	6	Screw, Pan Head
9	226-4893-01	1	Lead	24	821-2033	1	Screw, Flange Head Lock
10	226-4893-02	1	Lead	25	856-0006	4	Washer, Lock
11	226-4893-03	1	Lead	26	821-0018	1	Screw, Locking
12	226-4893-06	1	Lead	27	870-2054	2	Nut, Flange Lock
13	226-4893-05	1	Lead	28	800-2042	2	Screw, Hex Head
14	337-2845	1	Strap, Electrical	29	815-0905-08	4	Screw
15	332-0142	1	Terminal, Solderless				

Generator Enclosure (Spec A-B)



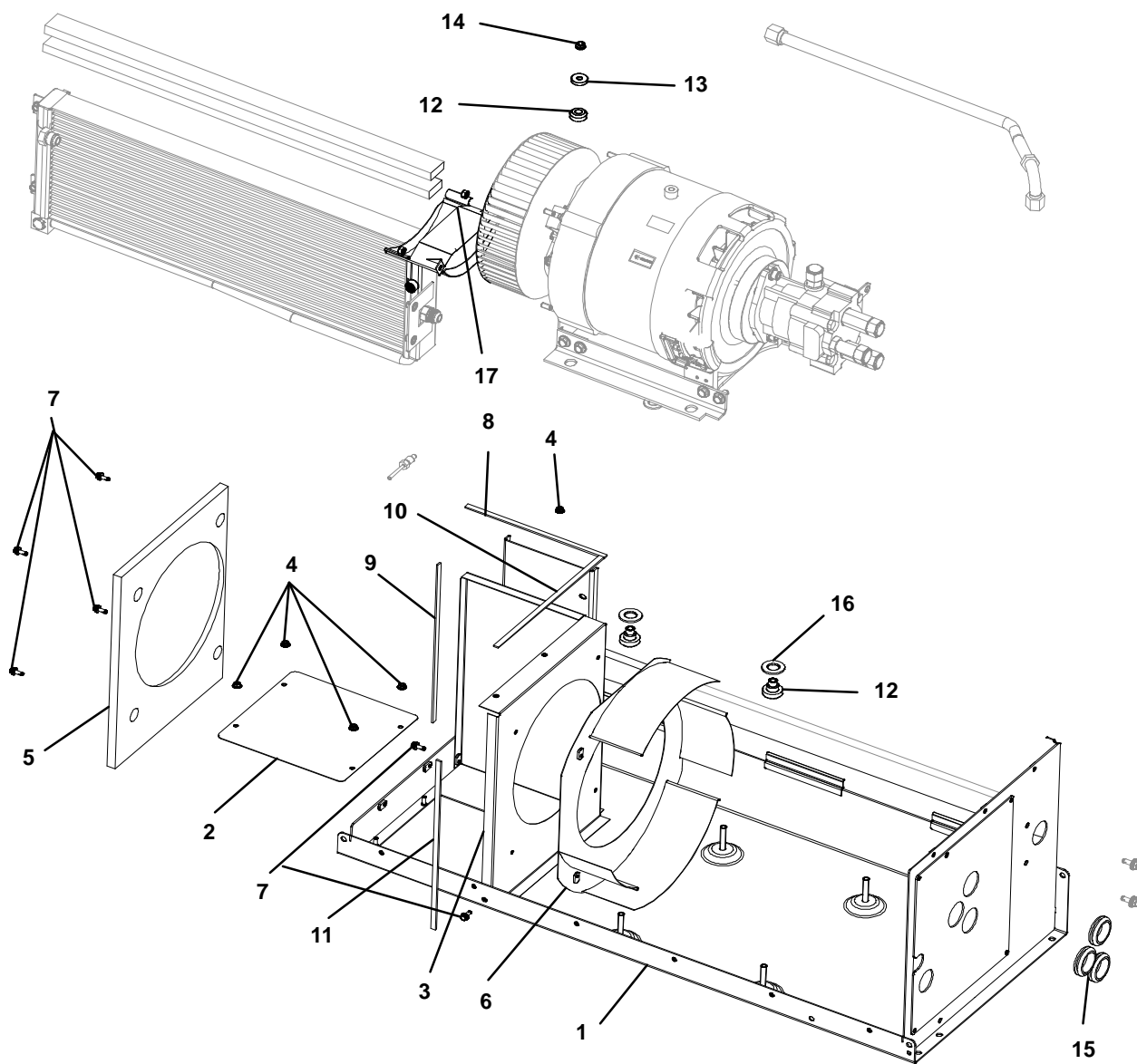
REF NO.	PART NO.	QTY USED	PART DESCRIPTION	REF NO.	PART NO.	QTY USED	PART DESCRIPTION
1	405-7642	1	Enclosure, Assy.	5	234-1018	2	Guard, Generator Fan
2	405-6967	1	Cover, Enclosure	6	821-6006-01	36	Screw, Hex Head Sems Stainless (M6 x 1.0 x16mm)
3	405-7643	1	Cover, Enclosure				
4	405-7372	1	Cover, Access				

Generator Enclosure (Begin Spec C)



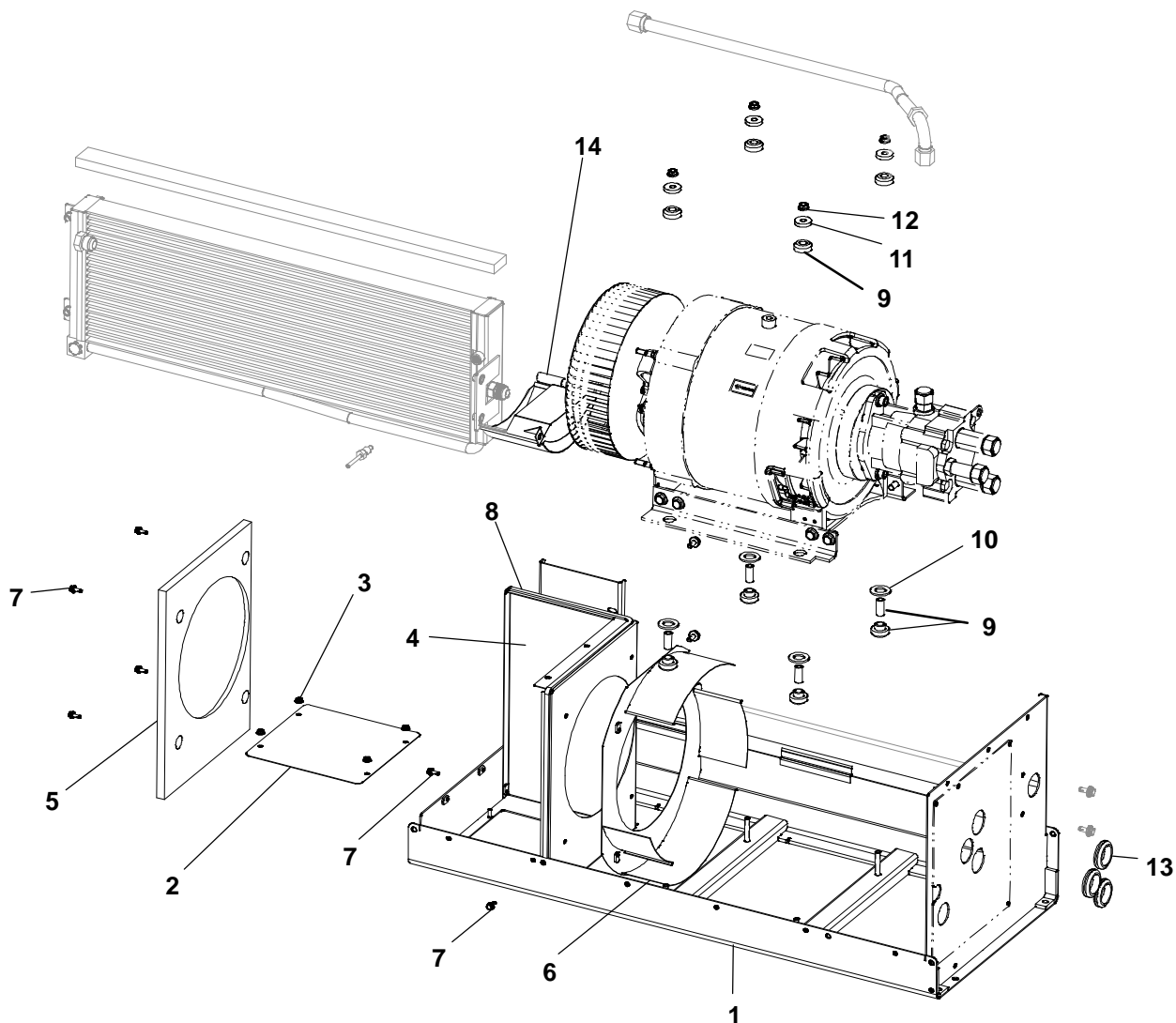
REF NO.	PART NO.	QTY USED	PART DESCRIPTION	REF NO.	PART NO.	QTY USED	PART DESCRIPTION
1	A029M672	1	Cover, Enclosure	5	234-1018	2	Guard, Generator Fan
2	A029M681	1	Cover, Enclosure	6	821-6006-01	36	Screw, Hex Head Sems Stainless (M6 x 1.0 x16mm)
3	405-8762-02	1	Cover, Enclosure				
4	405-9037-02	1	Cover, Access				

Drip Pan Base (Spec A-B)



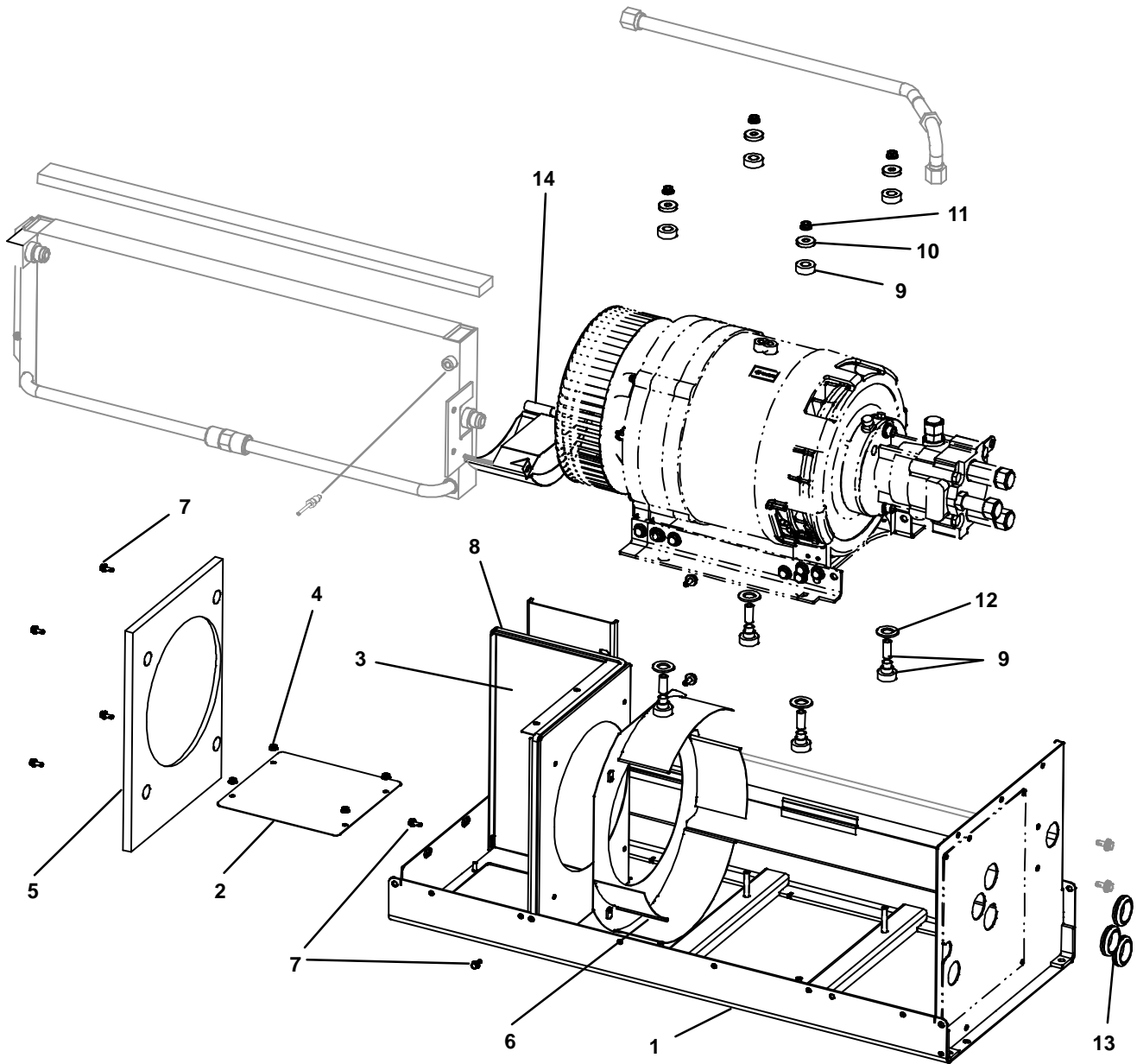
REF NO.	PART NO.	QTY USED	PART DESCRIPTION	REF NO.	PART NO.	QTY USED	PART DESCRIPTION
1	403-5121	1	Base, Drip Pan	9	405-7649	1	Seal, Enclosure
2	405-7372	1	Cover, Access	10	405-7648	1	Seal, Enclosure
3	405-7640	1	Baffle, Air	11	405-7647	1	Seal, Enclosure
4	870-2054	5	Nut, Lock Flange (M6 x 1mm)	12	402-0771	4	Isolator, Vibration
5	405-7644	1	Insulation, Baffle	13	526-0077	4	Washer
6	A055B914	1	Scroll	14	870-0281	4	Nut, Lock
7	821-6006-01	6	Screw, Hex Head Sems Stainless Steel (M6 x 1.0 x 16mm)	15	508-0183	3	Grommet
8	405-7391	1	Seal, Enclosure	16	526-0027	4	Washer, Flat
				17	130-8276-02	1	Shroud, Fan

Drip Pan Base (Spec C-D)



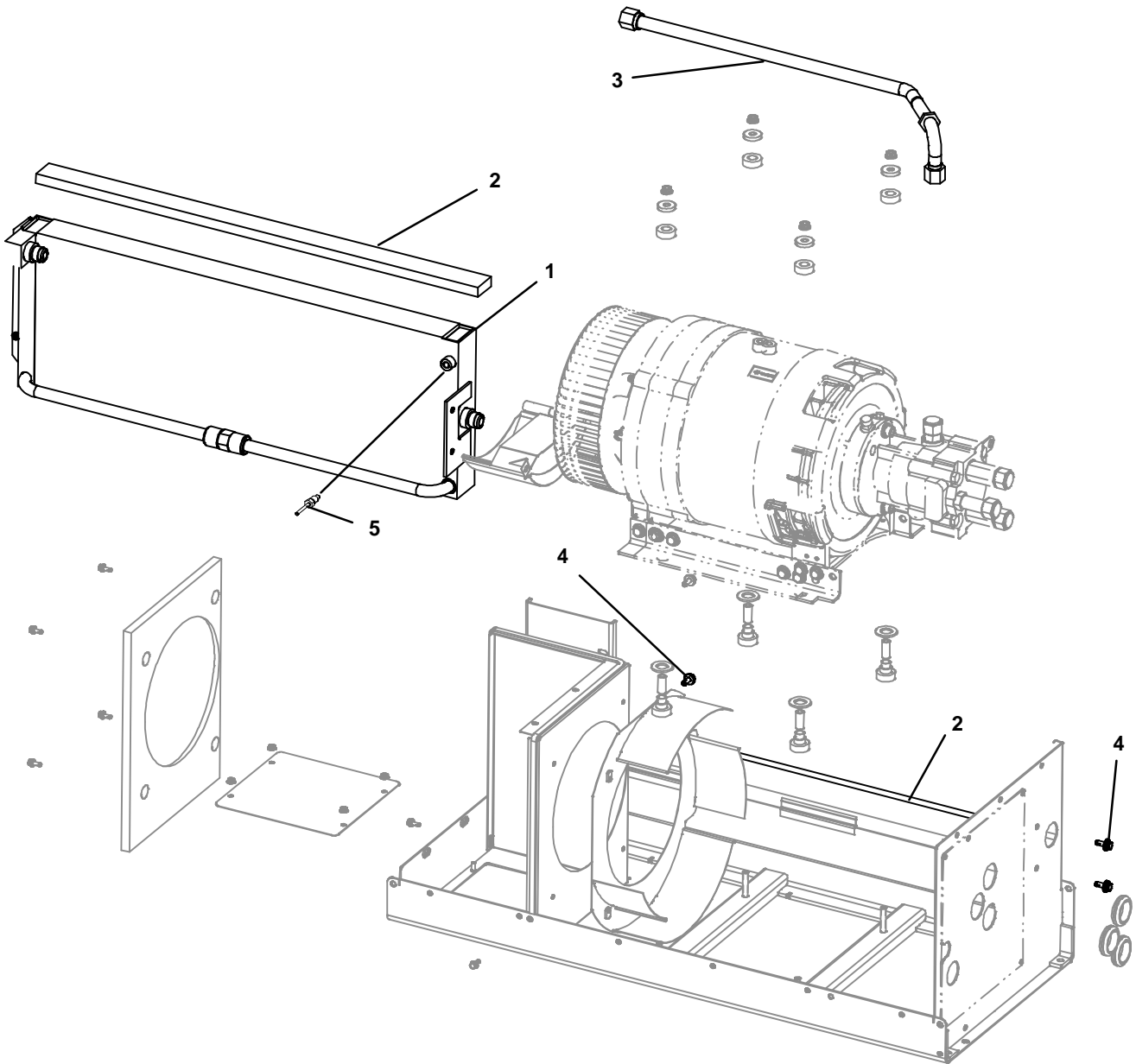
REF NO.	PART NO.	QTY USED	PART DESCRIPTION	REF NO.	PART NO.	QTY USED	PART DESCRIPTION
1	A029K202	1	Base, Drip Pan	8	A029N531	1	Seal, Enclosure
2	405-9037-02	1	Cover, Access	9	402-0771	4	Isolator, Vibration
3	870-2054	5	Nut, Flange Lock	10	526-0027	4	Washer, Flat
4	A029M146	1	Baffle, Air	11	526-0077	4	Washer
5	A029M638	1	Insullation, Baffle	12	870-0281	4	Nut, Lock
6	A055B914	1	Scroll	13	508-0183	3	Grommet
7	821-6006-01	6	Screw, Hex Head	14	130-8276-02	1	Shroud, Fan

Drip Pan Base (begin Spec E)



REF NO.	PART NO.	QTY USED	PART DESCRIPTION	REF NO.	PART NO.	QTY USED	PART DESCRIPTION
1	A055C296	1	Base, Drip Pan	8	A029N531	1	Seal, Enclosure
2	405-9037-02	1	Cover, Access	9	402-0771	1	Isolator, Vibration
3	A029M146	1	Baffle, Air	10	526-0077	4	Washer
4	870-2054	5	Nut, Lock Flange (M6x1mm)	11	870-2081	4	Nut, Lock
5	A029M638	1	Insulation, Baffle	12	526-0027	4	Washer, Flat
6	A055B914	1	Scroll	13	508-0183	3	Grommet
7	821-6006-01	6	Screw, Hex Head	14	130-8276-02	1	Shroud, Fan

Hydraulic Heat Exchanger

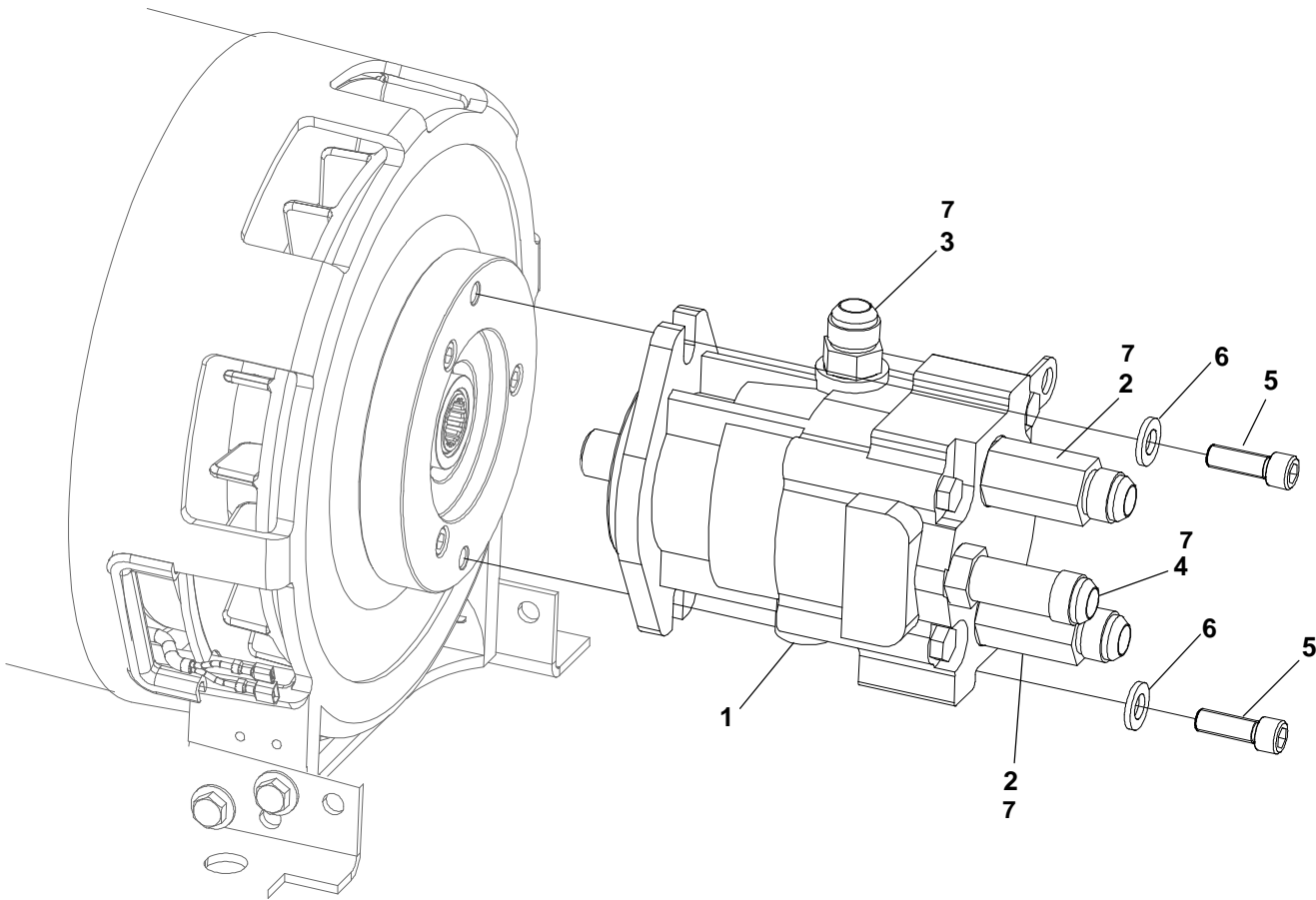


REF NO.	PART NO.	QTY USED	PART DESCRIPTION
1	A028V932	1	Exchanger, Hydraulic Heat
2	405-7392	2	Seal, Enclosure
3	503-2439	1	Line, Hydraulic

REF NO.	PART NO.	QTY USED	PART DESCRIPTION
4	821-6007-02	4	Screw, Hex Head Cap Sems Stainless(M8 x 1.25 x 20mm)
5	309-0697	1	Switch, Temperature

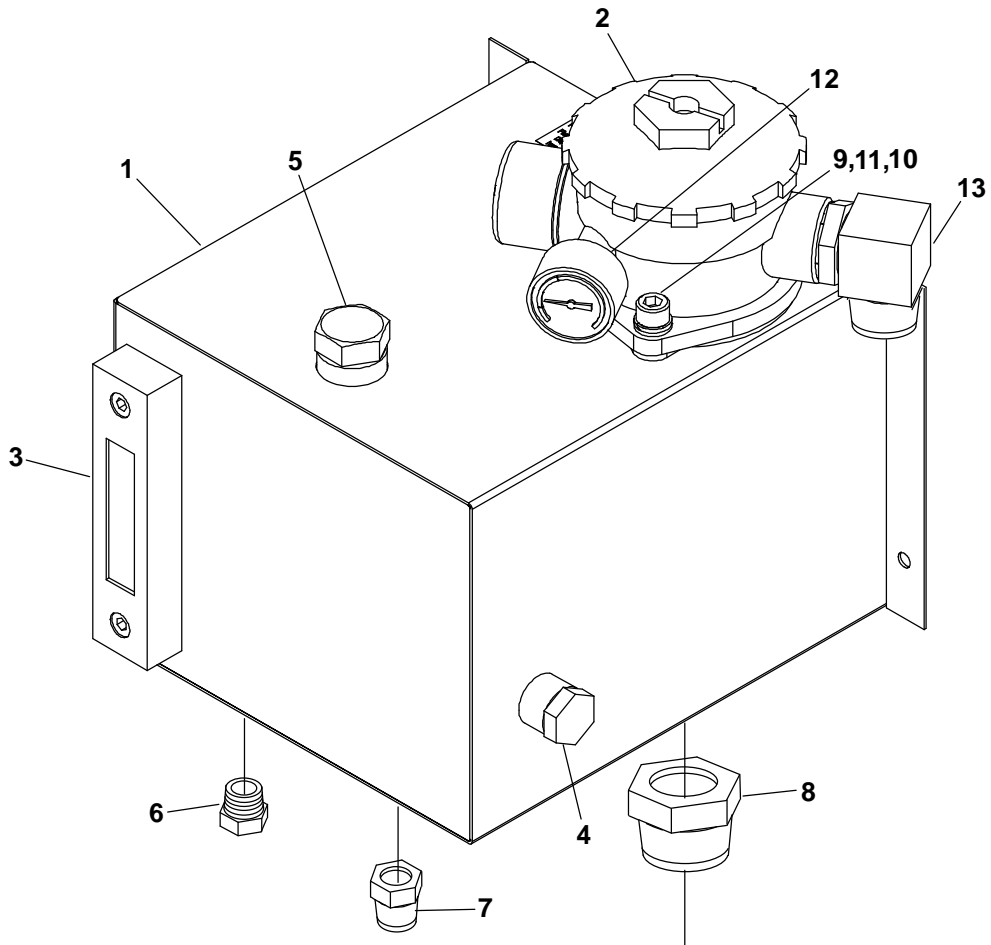
***Note: If replacing the heat exchanger in Spec A-D products, install Heat Exchanger A028V932 and Scroll A055B914 to upgrade system to that of Spec E. The heat exchanger used in Spec A-D products is no longer available.**

Hydraulic Motor



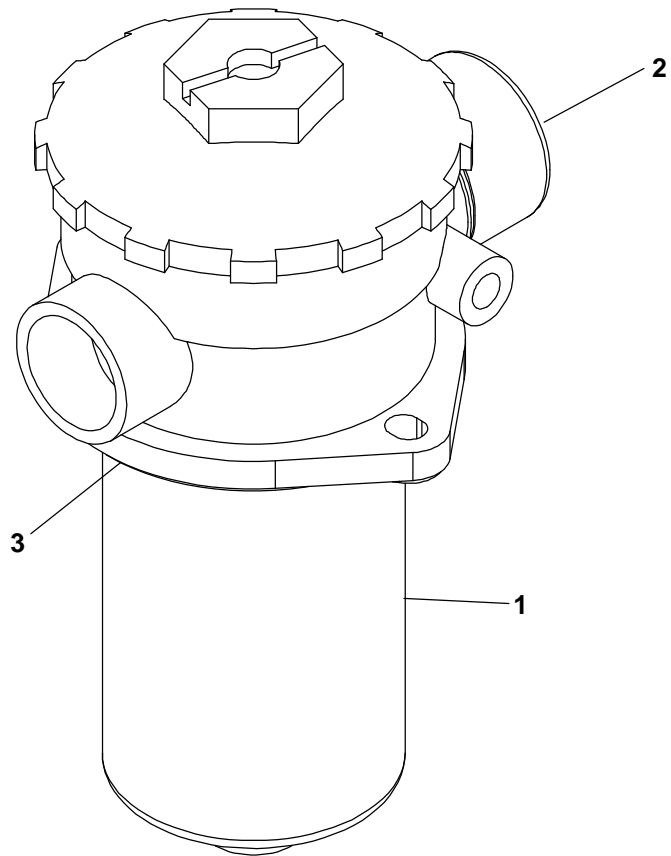
REF NO.	PART NO.	QTY USED	PART DESCRIPTION
	121-0222	1	Motor Assy, Hydraulic
1	121-0214	1	Motor, Hydraulic
2	502-1474	2	Adapter, Hose (1 1/16-12 -1 1/16-12 37 Flare)
3	502-1482	1	Adapter, Hose (1 1/16-12 -7/8-14 37 Flare)
4	502-1476	1	Adapter, Hose (7/8-14 x 1 1/16-12 37 Flare)
5	725-1102	2	Screw, Socket Head Cap (M12 x 1.75 x 35mm)
6	526-0219	2	Washer, Flat (1/2")
7	502-1262-05	4	Cap, Flare Tube End

Hydraulic Reservoir



REF NO.	PART NO.	QTY USED	PART DESCRIPTION	REF NO.	PART NO.	QTY USED	PART DESCRIPTION
	121-0197		Reservoir Assy, Hydraulic	8	502-1391	1	Adapter, Hose (1 5/8-12 x1 5/8-12 37 Flare)
1	121-0203	1	Reservoir, Hydraulic	9	526-2121	2	Washer, Flat M10
2	121-0204	1	Filter, Hydraulic (See Next Page For Details)	10	850-2060	2	Washer, Locking Split (M10)
3	193-0497	1	Gauge, Level	11	725-1076	2	Screw, Socket Head Cap (M10 x 1.5 x 30mm)
4	505-1379	1	Plug, Pipe	12	193-0502	1	Gauge, Pressure
5	517-0359	1	Plug, Cap (1 1/16-12UNF)	13	502-1453	1	Elbow, Tube
6	517-0360	1	Plug, Drain (9/16-18UNF O'Ring Magnetic)				
7	502-1446	1	Adapter, Hose (3/4-16 x 3/4-16 37 Flare)				

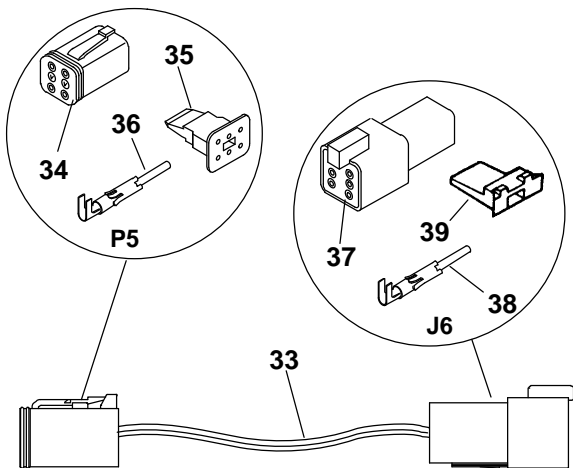
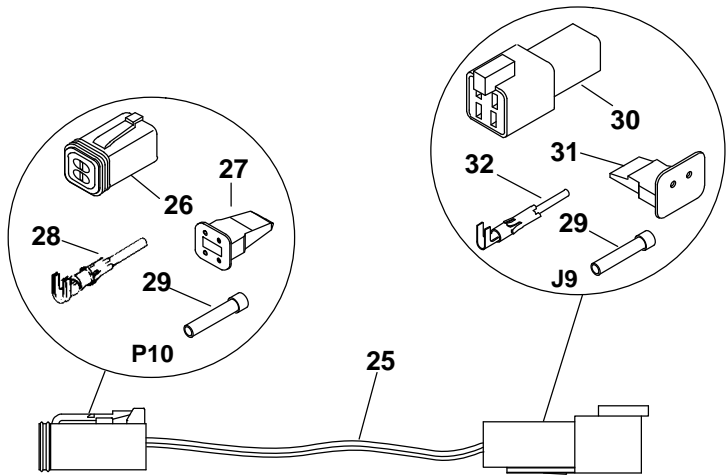
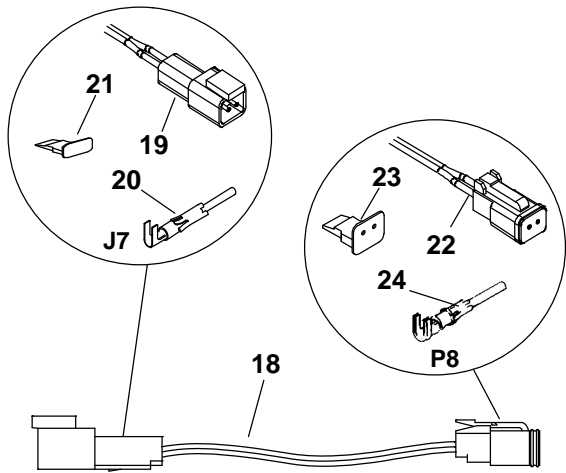
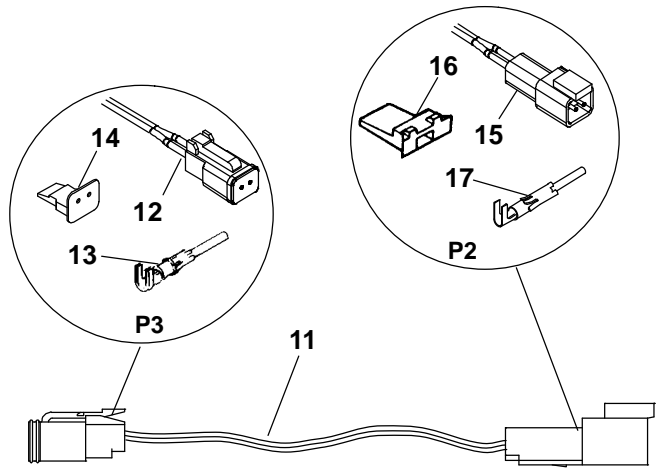
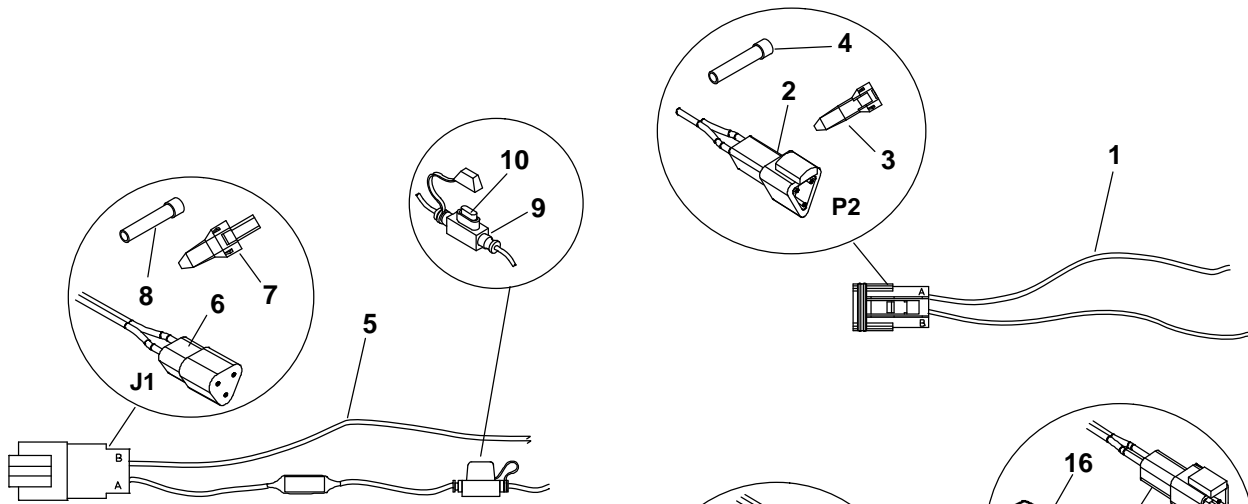
Hydraulic Filter



REF NO.	PART NO.	QTY USED	PART DESCRIPTION
	121-0204	1	Filter Assy, Hydraulic
1	121-0207	1	Element
2	121-0208	1	Breather
3	121-0209	1	Gasket

This Page Intentionally Left Blank.

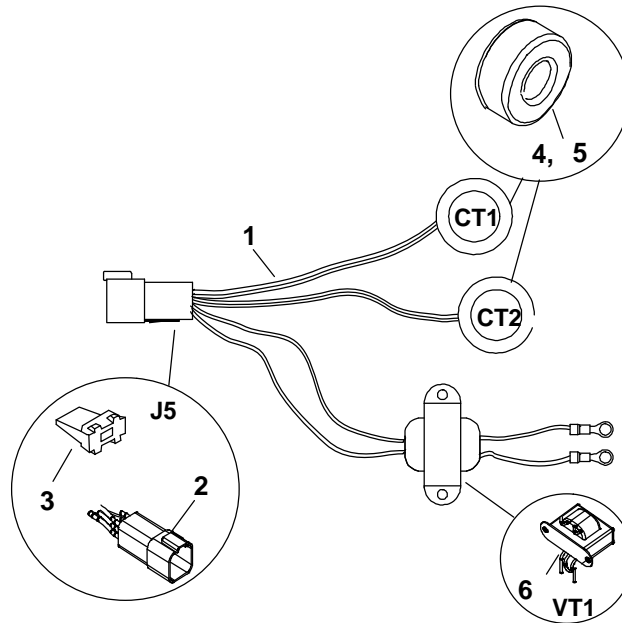
Harnesses



Harnesses

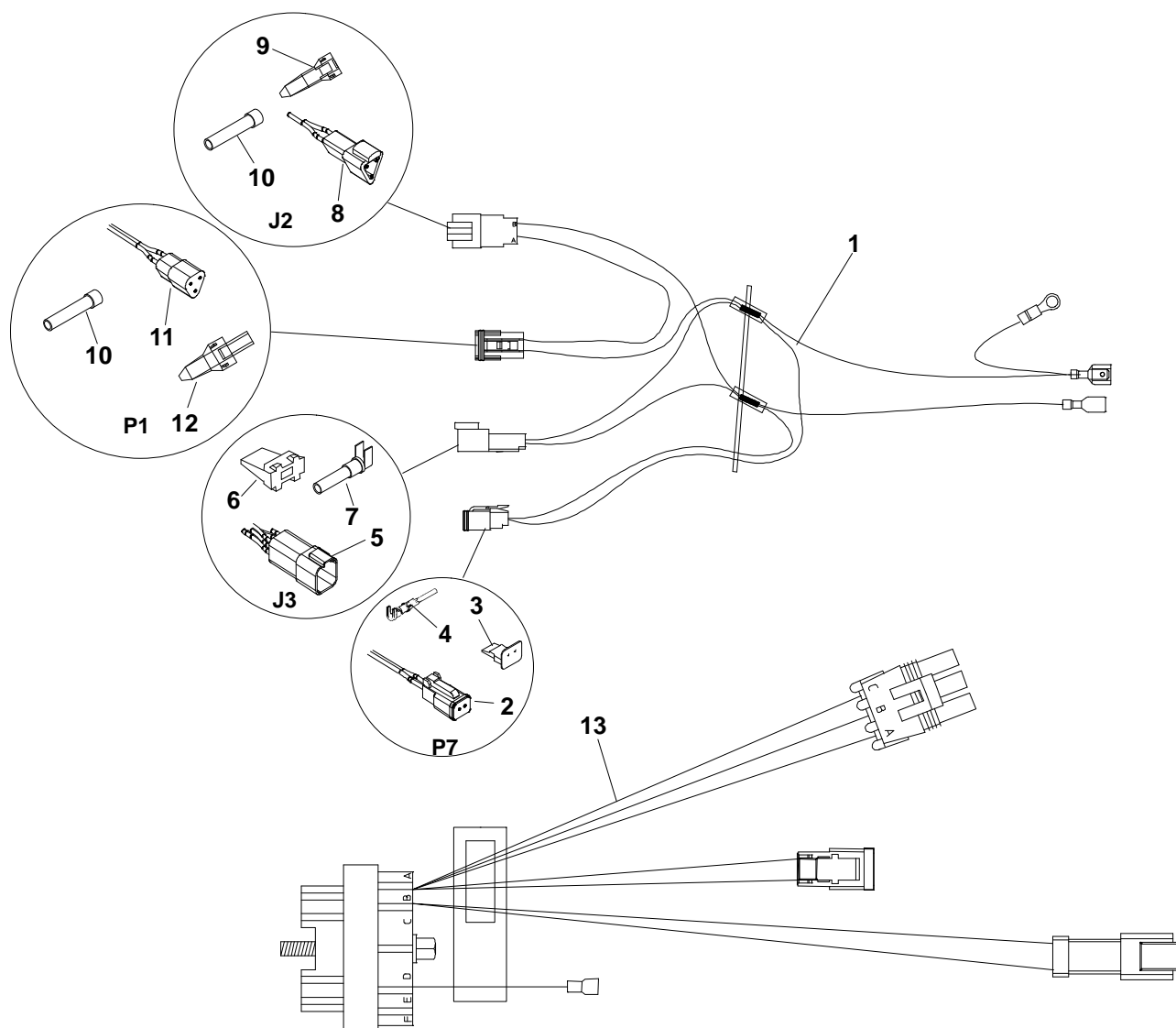
REF NO.	PART NO.	QTY USED	PART DESCRIPTION	REF NO.	PART NO.	QTY USED	PART DESCRIPTION
1	338-4084	1	Harness, Switch (P2) (Includes Parts Marked @)	24	323-1492	2	~Terminal, Socket
2	323-1493	1	@ Connector, Receptacle (3 Pin)	25	338-4088	1	Harness, Sensor (J9 & P10) (Temperature Extension) (Includes Parts Marked^)
3	323-1503	1	@ Wedge, Receptacle (3 Pin)				
4	323-1591	1	@ Plug, Seal	26	323-1546	1	^Connector, Plug (4 Pin)
5	338-4085	1	Harness, Switch (J1) (Includes Parts Marked #)	27	323-1548	1	^Wedge, Plug
6	323-1494	1	#Connector, Receptacle (3 Pin)	28	323-1492	3	^Terminal, Socket
7	323-1502	1	#Wedge, Receptacle (3 Pin)	29	323-1591	2	^Plug, Seal
8	323-1591	1	#Plug, Seal	30	323-1549	1	^Connector, Receptacle (4 Pin)
9	321-0349	1	#Holder, Fuse (Blade)	31	323-1547	1	^Wedge, Receptacle
10	321-0321-08	1	#Fuse (Blade) 20 Amp	32	323-1491	1	^Terminal, Pin
11	338-4086	1	Harness, Valve (Extension) (P2 & P3) (Includes Parts Marked +)	33	338-4089	1	Harness, AC Sensor Extension (P5 & J6) (Includes Parts Marked *)
12	323-1504	1	+Connector, Plug (2 Pin)	34	323-1623	1	*Connector, Plug (6 Pin)
13	323-1492	1	+Terminal, Socket	35	323-1624	1	*Wedge, Plug
14	323-1500	1	+Wedge, Plug	36	323-1492	6	*Terminal, Socket
15	323-1505	1	+Connector, Receptacle (2 Pin)	37	323-1625	1	*Connector, Receptacle (6 Pin)
16	323-1501	1	+Wedge, Receptacle (2 Pin)	38	323-1626	1	*Wedge, Receptacle
17	323-1491	2	+Terminal, Pin	39	323-1491	6	*Terminal, Pin
18	338-4087	1	Harness, Meter (Power Extension) (J7 & P8) (Includes Parts Marked ~)				
19	323-1505	1	~Connector, Receptacle (2 Pin)				@ - Parts Included in Harness, Switch (P2)
20	323-1491	2	~Terminal, Pin				# - Parts Included in Harness, Switch (J1)
21	323-1501	1	~Wedge, Receptacle				+ - Parts Included in Harness, Valve (P2 & P3)
22	323-1504	1	~Connector, Plug (2 Pin)				~ - Parts Included in Harness, Meter (J7 & P8)
23	323-1500	1	~Wedge, Connector				^ - Parts Included in Harness, Sensor (P9 & P10)
							* - Parts Included in Harness, AC Sensor (P5 & P6)

Harnesses



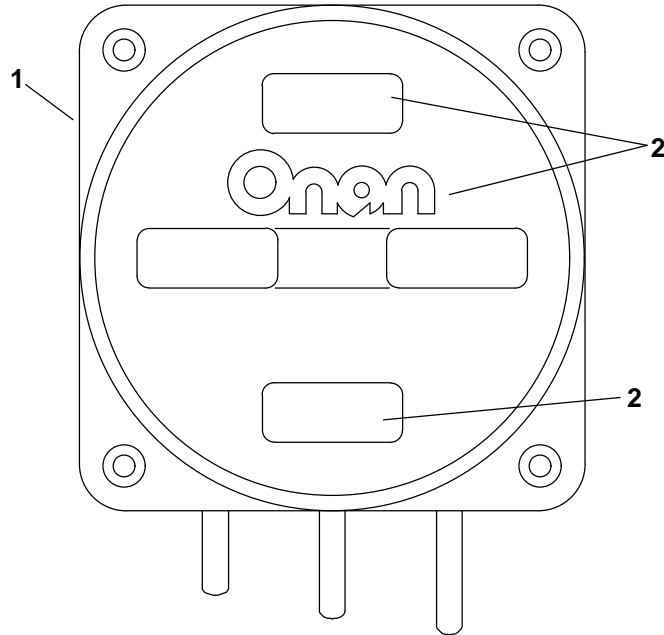
REF NO.	PART NO.	QTY USED	PART DESCRIPTION	REF NO.	PART NO.	QTY USED	PART DESCRIPTION
1	338-4362	1	Harness, AC (Single Phase Sensor Includes Parts Marked #)	5	315-1601-05	1	#Current, Transformer (CT2)
2	323-1625	1	#Connector, Receptacle (J5, 6 Pl)	6	315-1602-04	1	#Transformer, Voltage (VT1)
3	323-1626	1	#Wedge, Plug (6 Pl)				+ - Parts Included in Harness, Transformer
4	315-1601-04	1	#Current, Transformer (CT1)				# - Parts Included in Harness, AC (Single Phase)

Harnesses



REF NO.	PART NO.	QTY USED	PART DESCRIPTION	REF NO.	PART NO.	QTY USED	PART DESCRIPTION
1	338-4255		Harness, DC (Includes Parts Marked *)	8	323-1494	1	*Connector, Receptacle (J2)
2	323-1504	1	*Socket, Receptacle (P7)	9	323-1502	1	*Wedge, Receptacle (J2)
3	323-1500	1	*Wedge, Plug (P7)	10	323-1591	1	*Plug, Seal
4	323-1491	2	*Terminal, Pin (P7)	11	323-1493	1	*Connector, Plug (P1)
5	323-1505	1	*Connector, Receptacle (J3)	12	323-1503	1	*Wedge, Plug (P1)
6	323-1501	1	*Wedge, Plug (J3)	13	338-4331	1	Harness, Control
7	323-1492	4	*Terminal, Socket (J3)				

Multi-Meter Single Phase



REF NO.	PART NO.	QTY USED	PART DESCRIPTION
1	302-2106	1	Meter, Multi 20kW
2	98-7922	1	Label, Information

Labels

REF NO.	PART NO.	QTY USED	PART DESCRIPTION
1	98-4732	1	Label, Warning
2	98-5926	1	Label, Barcode
3	98-7906	1	Label, Unit ID
4	98-7922	1	Label, Information
5	98-7923-05	1	Label, Information (CMHG 20000)
6	98-7939-02	1	Label, Blank
7	98-7973	1	Label, Information
8	98-8067	2	Label, No Step

Numerical Index

<u>Part No.</u>	<u>Page</u>	<u>Part No.</u>	<u>Page</u>	<u>Part No.</u>	<u>Page</u>	<u>Part No.</u>	<u>Page</u>
098-4732,	23	305-0982,	7 , 8	338-4089,	20	526-0399-42,	5 , 6
098-5926,	23	309-0697,	8 , 14	338-4255,	8 , 22	526-0399-43,	5 , 6
098-7906,	23	315-1601-04,	21	338-4331,	22	526-2121,	16
098-7922,	23	315-1601-05,	21	338-4362,	21	725-1076,	16
098-7923-05,	23	315-1602-04,	7 , 21	402-0771,	11 , 12 , 13	725-1077,	5 , 6
098-7939-02,	23	319-5012,	7	403-5121,	11	725-1102,	15
098-7973,	23	319-5388-02,	7	405-6967,	9	800-0310-02,	5 , 6
098-8067,	23	321-0321-08,	20	405-7372,	9 , 11	800-0310-50,	5 , 6
121-0197,	16	321-0349,	20	405-7391,	11	800-2042,	7 , 8
121-0203,	16	323-1491,	20 , 22	405-7392,	14	800-2093,	5 , 6
121-0204,	16 , 17	323-1492,	20 , 22	405-7640,	11	815-0753,	5 , 6
121-0207,	17	323-1493,	20 , 22	405-7642,	9	815-0905-08,	7 , 8
121-0208,	17	323-1494,	20 , 22	405-7643,	9	815-0937,	7 , 8
121-0209,	17	323-1500,	20 , 22	405-7644,	11	821-0018,	7 , 8
121-0213,	4	323-1501,	20 , 22	405-7647,	11	821-2033,	7 , 8
121-0214,	15	323-1502,	20 , 22	405-7648,	11	821-6006-01,	7 , 8 , 9 , 10 11 , 12 , 13
121-0222,	15	323-1503,	20 , 22	405-7649,	11	821-6007-02,	14
121-0227,	4	323-1504,	20 , 22	405-8762-02,	10	850-2060,	16
130-5872,	5 , 6	323-1505,	20 , 22	405-9037-02,	10 , 12 , 13	856-0006,	7 , 8
130-5930,	5 , 6	323-1546,	20	502-1262-05,	15	862-0026-08,	5 , 6
130-8276-02,	11 , 12 , 13	323-1547,	20	502-1391,	16	862-0041,	5 , 6
193-0497,	16	323-1548,	20	502-1446,	16	870-0281,	11 , 12
193-0502,	16	323-1549,	20	502-1453,	16	870-2054,	7 , 8 , 11 , 12 , 13
201-3610-03,	5	323-1591,	20 , 22	502-1470,	4	870-2081,	13
211-0526,	5 , 6	323-1623,	20	502-1473,	4	A028V932,	14
220-4622-03,	5 , 6	323-1624,	20	502-1474,	15	A029K202,	12
226-4893-01,	8	323-1625,	20 , 21	502-1476,	15	A029M146,	12 , 13
226-4893-02,	8	323-1626,	20 , 21	502-1482,	15	A029M638,	12 , 13
226-4893-03,	8	323-2062,	7 , 8	503-2439,	14	A029M672,	10
226-4893-05,	7 , 8	331-0581-01,	7 , 8	505-1379,	16	A029M681,	10
226-4893-06,	8	331-0582-04,	7 , 8	508-0117,	7 , 8	A029M722,	8
226-4915,	8	332-0142,	7 , 8	508-0183,	11 , 12 , 13	A029N531,	12 , 13
231-1021,	5	332-0941,	8	508-0210,	5 , 6 , 7 , 8	A029N633,	8
231-1022,	5	332-3910,	7 , 8	508-0239,	5 , 6	A029U335,	8
232-2452,	5 , 6	332-3947,	7	517-0359,	16	A032X983,	6
232-4127-02,	5	337-2845,	7 , 8	517-0360,	16	A032Y01,	6
232-4128-02,	5	338-4084,	20	520-0800,	5 , 6	A032Y014,	6
234-0969,	5 , 6	338-4085,	20	526-0027,	11 , 12 , 13	A032Y016,	6
234-1018,	9 , 10	338-4086,	20	526-0077,	5 , 6 , 11 , 12 , 13	A032Y018,	6
300-5751,	7	338-4087,	20	526-0219,	15	A040F628,	6
302-2106,	23	338-4088,	20	526-0399-13,	5 , 6		

Numerical Index

<u>Part No.</u>	<u>Page</u>	<u>Part No.</u>	<u>Page</u>	<u>Part No.</u>	<u>Page</u>	<u>Part No.</u>	<u>Page</u>
A041E369,	6						
A041F389,	6						
A044B565,	6						
A044B57,	6						
A044B576,	6						
A055B914,	11 , 12 , 13						
A055C296,	13						

power.cummins.com

Copyright © 2016 Cummins Inc. All rights reserved.

Cummins, Onan, the "C" logo, and "Performance you rely on." are trademarks of Cummins Inc.

Other company, product, or service names may be trademarks or service marks of others.

Specifications are subject to change without notice.

